

Utilities Commission, City of New Smyrna Beach

Invitation to Bid Purchase of Decorative Poles & Street Lighting.

ITB # 15-11

Date Issued: September 20, 2011

ITB Document on the UCNSB Web Site Link: <http://www.ucnsb.net/purchasing/bid-information.aspx>

Utilities Commission, City of New Smyrna Beach (UCNSB) is seeking bids from qualified vendors to provide Decorative Poles & Street lighting to the Commission.

Notice is hereby given that sealed bids will be received at 200 Canal Street, New Smyrna Beach, FL 32168, until **2:30 p.m., September 27, 2011** at which time they will be opened in the Finance Department.

DIRECT INQUIRIES TO:

Email:
Telephone Number:
Fax Number:

Caleb Fisher
Purchasing Agent
cfisher@ucnsb.org
(386) 424-3045
(386) 424-2748

Mail To:

Utilities Commission City of NSB
Attn: Materials Manager
PO Box 100
New Smyrna Beach, Florida 32170-0100

Delivery to:

200 Canal Street
New Smyrna Beach, FL 32168

Upon receipt of this ITB document, any and all communications regarding this proposal must be made only to the Purchasing Agent as noted above. Any violation of this condition could result in bid disqualification.

This is a Sealed Bid - Fax or electronic replies will not be accepted.

Utilities Commission, City of New Smyrna Beach operates in accordance with the State of Florida Sunshine Laws.

Table of Contents

| <u>Description</u> | <u>Page</u> |
|--|---------------|
| 1. GENERAL TERMS AND CONDITIONS | 4 – 8 |
| 2. REQUIRED CERTIFICATIONS AND REPRESENTATIONS | 9 - 16 |
| 2.01 QUESTIONNAIRE | |
| 2.02 EVALUATION FACTORS | |
| 2.03 PUBLIC ENTITY CRIMES FORM (ATTACHMENT “A”) | |
| 2.04 STATEMENT FOR NON COLLUSION (ATTACHMENT “B”) | |
| 2.05 CERTIFICATION OF DRUG-FREE WORKPLACE FORM | |
| 2.06 VENDOR APPLICATION | |
| 2.07 TAXPAYER IDENTIFICATION W9 | |
| 3. GENERAL INFORMATION | 17 |
| 4. SPECIFICATIONS | 18-29 |
| 5. BID REPLY FORM | 30-31 |

ITB SCHEDULE

Distribution of the Invitation to Bid: September 20, 2011

ITB return deadline by 2:30 pm: September 27, 2011
Location: UCNSB – Finance Office
200 Canal St. New Smyrna Beach, FL
Finance Department

ITB opening Location: September 27, 2011
UCNSB – DeBerry Room
200 Canal St. New Smyrna Beach, FL
Time: 2:30 pm

I. GENERAL CONDITIONS

1. INSTRUCTIONS TO BIDDERS: To insure consideration of your bid, please follow these instructions. Bids not in compliance with conditions specified herein are subject to rejection.

2. SEALED BIDS: AN ORIGINAL AND 3 COPIES must be in the Finance Department by the date and time specified. The Bid Reply, Evaluation Factors, Questionnaire, Attachment "A", Attachment "B", and any addenda issued must be included. Proposals must be sealed and clearly labeled with the following information:

- a. Name and address of Bidder
- b. Bid number
- c. Date and time of Bid Opening

3. PREPARATION OF BID: All information shall be entered in ink, typewritten, or produced by computer. It is your responsibility to make certain that unit prices and extended prices are correct. The UCNSB will not be responsible for errors or omissions made by the bidder in determining bid price(s). The bid must contain a manual signature of an authorized representative of the agency bidding. In order to insure uniformity, bids must be submitted on this Bid Form and the attached pages.

4. NO BID: If unable to submit a bid, please sign and return the Bid Reply Sheet by return mail or fax advising the reason for not submitting a bid. To ensure inclusion in future bids, a Bidder **should** submit a "NO BID" to be received by the Finance Department no later than the stated bid opening date and time.

5. OBLIGATION OF BIDDER: By submitting a BID, the bidder covenants and agrees that they have satisfied themselves from their own investigation of the conditions to be met, that they fully understand their obligation and that they will not make any claim for, or have right to cancellation or relief from the contract because of any misunderstanding or lack of information.

6. QUESTIONS REGARDING BID: UCNSB has made every effort to provide prospective vendors with the information needed to appropriately respond to this bid. UCNSB realizes that some clarification, interpretation, or additional information may be required.

Any additional information pertaining to this Bid or to the services being sought hereunder obtained in a manner other than as described in the preceding paragraph

should be regarded as unofficial. UCNSB will not be bound in any way by information so obtained, or by a Bidder's reliance thereon.

7. COST DISCUSSIONS: The Bidder must not discuss cost information, except for clarification requested by the UCNSB Materials Manager, prior to the posting of bid results, with any employee, board member or authorized representative of the UCNSB. Violation of this restriction will result in **REJECTION** of the said Bid.

8. ADDENDA: All addenda issued during the time of bidding shall become part of the Bidding Documents, and receipt thereof must be acknowledged in writing with the bid (see Factor #5). The UCNSB accepts no responsibility for inaccurate bids due to missed information contained in any addendum. Each Bidder should ensure that they have received all addenda and amendments to the Bid before submitting their bids.

Please access the UCNSB web site at <http://www.ucnsb.net/purchasing/bid-information.aspx> for any addenda.

9. LATE BIDS: Bids will be publicly opened, read aloud and recorded, on the date and time indicated, at the location specified in the proposal request. It is the Bidders' responsibility to make certain that his/her proposal is in the hands of the Materials Manager prior to the opening time at the specified location. UCNSB accepts no responsibility for late or misdirected mail deliveries. Late bids will not be considered.

10. CONSIDERATION OF BIDS: The UCNSB reserves the right to award the contract to the Bidder(s) that the UCNSB deems to offer the best overall bid. The UCNSB is therefore not bound to accept a bid on the basis of lowest price. In addition, the UCNSB at its sole discretion, reserves the right to cancel this Bid, to reject any and all bids, to waive any and all informalities and/or irregularities, to re-advertise with either the identical or revised specifications, or not award a contract at all if it is deemed to be in the best interest of the UCNSB to do so. The UCNSB also reserves the right to make multiple or split awards if it is deemed to be in the Commission's best interest. The UCNSB shall not be responsible for any cost or expense incurred by the Bidder in preparing or submitting a bid or any cost prior to the execution of a contract agreement.

11. OTHER CONSIDERATIONS: Quantities involved, time of delivery, purpose for which required, competency in determining responsibility.

12. QUALIFYING BIDS: UCNSB reserves the right to require a Bidder to submit such evidence of qualifications as it may deem necessary and may consider any evidence available concerning the financial and other qualifications of the Bidder.

13. DISCRIMINATION: An entity or affiliate who has been placed on the discriminatory vendor list may not submit a proposal on a contract to provide goods or services to a public entity, may not submit a bid on a contract with a public entity for the construction or repair of a public building or public work, may not submit bids on leases of real property to a public entity, may not award or perform work as a contract supplier, subcontractor, or consultant under contract with any public entity, and may not transact business with any public entity.

14. ADA: The vendor awarded this proposal shall agree to comply with the Americans

with Disabilities Act (ADA) of 1990.

15. BID ACCEPTANCE PERIOD: Any bid in response to this solicitation shall be valid for 90 days following opening of the bid, to allow for formal action by the Board. The Bidder agrees that during such time his bid will remain firm and irrevocable. At the end of the 90 days, the bid may be withdrawn at the written request of the bidder. If the bid is not withdrawn at that time, it remains in effect until a contract is awarded or the solicitation is canceled.

16. EVALUATION PROCESS: The Evaluation Committee will evaluate all bids received. The committee will examine each bid and determine how effectively it satisfies the needs of The Utilities Commission.

17. BID AWARD: Award is expected to be made to the Bidder who best meets the requirements of UCNSB considering responsibility, responsiveness and price. A written contract and/or purchase order detailing agreed terms will be rendered between the UCNSB and the agency achieving a successful proposal. Terms of the contract will include any and all items as specified in the bid, plus mutually agreed terms and conditions.

The content of this Bid and all provisions of the successful response deemed pertinent by UCNSB may be incorporated into a contract and become legally binding.

18. CLARIFICATION: The UCNSB reserves the right to request clarification of information submitted and to request additional information of one more Bidders, if needed.

19. CONFLICT OF INTEREST: The award hereunder is subject to the laws of the State of Florida. All Bidders must disclose, with their proposal, the name of any officer, director, or agent who is also an employee of the UCNSB. Further, all Bidders must disclose the name of any UCNSB employee who owns, directly or indirectly, an interest of five percent (5%) or more in the Bidders firm or any of its branches.

20. LEGAL REQUIREMENTS: Applicable provisions of all federal, state, county and local laws, and all ordinances, rules, and regulations shall govern development, submittal and evaluation of all bids received in response hereto and shall govern all claims and disputes which may arise between person(s) submitting a proposal response hereto and the UCNSB. Lack of knowledge by any Bidder shall not constitute a cognizable defense against the legal effect thereof. Bidders have certain rights under Chapter 120, Florida Statutes. Failure to follow proper procedures for a timely protest shall constitute a waiver of all further proceedings under Florida Statute 120.53(5).

21. OTHER AGENCIES: All respondents awarded contracts from this solicitation may, upon mutual agreement, permit any municipality or other government agency to participate in the contract under the same prices, terms and conditions. If the period of

time is not defined within this solicitation, the prices, terms and conditions shall be firm for 120 days from date of award. It is understood that at no time will any city or municipality or other agency be obligated for placing an order for any city municipality or agency, nor will any city municipality or agency be obligated for any bills incurred by any other city or municipality or agency. Further it is understood that each agency shall issue their own purchase order to the awarded respondent(s).

22. SUBSTITUTIONS: Bidders are cautioned not to deviate from the bid specifications unless they also submit a detailed alternative.

23. NON-WARRANTY OF SPECIFICATIONS: Due care and diligence have been exercised in the preparation of this Bid and all information contained herein is believed to be to be substantially correct. However, the responsibility for determining the full extent of the exposures shall rest solely with the provider. Neither the Commission nor it's representatives shall be responsible for any errors or omission in this Bid nor for the failure on the part of the bidder(s) to determine the full extent of exposures.

24. Failure of the contractor to deliver within the time specified, or within a reasonable time as interpreted by the Purchasing Authority or failure to make replacements of rejected articles as directed, shall permit the Purchasing Authority to purchase on the open market articles of comparable grade to take the place of those rejected or not delivered. On all such purchases, the contractor shall reimburse the **Utilities Commission**, within a reasonable time specified by the Purchasing Authority, for any expenses incurred in excess of the defaulted price. Payments due the contractor by the **Utilities Commission** may be withheld until reimbursement is received.

25. INSURANCE The Contractor shall, at its sole expense, maintain in effect at all times during the performance of the services insurance coverage with limits not less than those set forth below and with insurers and under forms of policies satisfactory to Commission.

| <u>Coverage</u> | <u>Minimum Amounts and Limits</u> |
|--|---|
| (a) Worker's Compensation | Statutory requirements at location of work |
| Employer's Liability | \$ 100,000 Each occurrence \$ 300,000 Disease, aggregate \$ 100,000 Disease, each employee |
| (b) General Liability | \$1,000,000 General Aggregate \$1,000,000 Products – Comp Ops Agg \$ 500,000 Each Occurrence \$ 50,000 Fire Damage \$ 5,000 Medical Expense |
| (c) Automobile Liability (owned, hired and non-owned) | \$1,000,000 Combined Single Limit |
| Option of Split Limits: | |
| (1.) Bodily Injury | \$ 500,000 Per Person \$1,000,000 Per Accident |
| (2.) Property Damage | \$ 500,000 |

Coverage shall apply to the indemnity agreement and shall include the **UTILITIES COMMISSION** their officers and employees, each as additional insured's but only as regards to their liability arising out of Contractor's performance of the work or out of operations performed by others on behalf of Contractor under this Contract. The insurance as afforded to such additional insured's shall state that it is primary insurance and shall provide for a severability of interest or cross-liability clause. Prior to commencing performance of any work or site mobilization, Contractor shall furnish Commission with Certificates of Insurance (identifying on the face thereof the Project name and Contract number) as evidence of the above required insurance and such Certificates shall provide for thirty (30) days written notice to Commission prior to cancellation thereof.

Commission is not maintaining any insurance on behalf of Contractor covering loss or damage to the work or to any other property of Contractor unless otherwise specifically set forth herein.

None of the requirements contained herein as to types, limits and approval of insurance coverage to be maintained by Contractor are intended to and shall not in any manner limit or qualify the liabilities and obligations assumed by Contractor under this contract.

Contractor shall deliver the original Certificate of Insurance and one copy to the agent of the Commission.

Notices, in original and one copy, of cancellation, termination and alternation of such policies shall also be provided to the agent of the Commission.

2.01

QUESTIONNAIRE ITB #03-10

Additional space may be required. Please answer questions in the order presented. All questions must be answered or contractor may be disqualified.

1. Has your company ever been denied insurance or had insurance canceled?
2. Is your company bondable? Has your company ever been denied bond? If yes, explain.
3. Can your insurance company produce a certificate of insurance stating your limits and naming UCNSB as an Additional Insured?
4. Since January 1, 2001, has your company been a defendant in any lawsuits?
5. Is your company a subsidiary or otherwise legally affiliated with any other company?
6. Is your company rated by Dunn & Bradstreet or any other rating agency? If yes, what is the name of the agency and rating?
7. Is your company in any stage of bankruptcy, including initial filing?
8. Can you supply us with three (3) business references similar to UCNSB? If yes, attach a list including contact and phone number.
9. Has your company been disbarred by the Federal Government or any State Government?

2.02

EVALUATION FACTORS

Bids shall include all of the information solicited in this ITB, and any additional information that the Bidder deems pertinent to the understanding and evaluating of the bid. **Bids shall be organized and sections tabbed in the following order.** The Bidder should not withhold any information from the written response in anticipation of presenting the information orally or in a demonstration, since oral presentations or demonstrations may not be solicited. All bids shall include, at a minimum, the following information. Failure to supply all of the information requested may result in the bid being excluded from consideration.

Factor #1 **Experience:**

Provide a profile showing company history, business structure, and list of principals. A minimum of five (5) years in business is required.

Factor #2 **References:**

Submit a detailed list of clients receiving similar services within the last two years. Please include a brief description of the scope of work performed and the name, phone number and email address of the contact person.

Factor #3 **Pricing:**

Submitted Proposal Bid Form Page 21-22

Factor #4 **Public Entity Crimes, Non-collusion Affidavit, Drug Free Workplace & Vendor Information Form**

All Bidders shall properly complete attachments A,B,C,D and E here

Factor #5 **Addenda Acknowledgement**

Please submit all addenda (if any) related to this bid here.

Factor #6 **Questionnaire**

The Questionnaire responses requested in Section 2.01 should be submitted here.

Factor #8 **Detailed Specifications
In this section include:**

Transformer product information and literature
Transformer drawings
Transformer test reports

A

**SWORN STATEMENT UNDER SECTION 287.133(3) (1)
FLORIDA STATUTES, ON PUBLIC ENTITY CRIMES**

THIS FORM MUST BE SIGNED IN THE PRESENCE OF A NOTARY PUBLIC OR OTHER OFFICER AUTHORIZED TO ADMINISTER OATHS.

1. This sworn statement is submitted Bid, Bid or Contract for_____.
2. This sworn statement is submitted by_____ [name of entity submitting sworn statement] whose business address is: _____ and (if applicable) its Federal Employer Identification Number (FEIN) is _____.

(If entity has no FEIN, include the Social Security Number of the individual signing this sworn statement: _____).
3. My name is _____ and my relationship to the entity named above is _____.
4. I understand that a “public entity crime” as defined in Paragraph 287.133 (1) (g), Florida Statutes, means a violation of any state or federal law be a person with respect to and directly related to the transaction of business with any public entity or with an agency or political subdivision of any other state or with the United States, including, but not limited to, any bid or contract for goods or services to be provided to any public entity or an agency or political subdivision of any other state, or of the United States and involving antitrust, fraud, theft, bribery, collusion, racketeering, conspiracy, or material misrepresentation.
5. I understand that “convicted” or “conviction” as defined in Paragraph 287.133 (91) (b), Florida Statutes, means a finding of guilt or a conviction of a public entity crime, with or without adjudication of guilt, in any federal or state trial court or recording, relating to charges brought by federal or state trial court or recording, relating to charges brought by federal or state trial court or recording, relating to charged brought by indictment or information after July 1, 1989, as a result of just verdict, non-jury trial, or entity of a plea of guilty or nolo contendere.
6. I understand the “affiliate” as defined in Paragraph 287.133(1)(a), Florida Statutes, means: (1) A Predecessor or Successor of a person convicted of public crime: or (2) An entity under the control of any natural person who is active in the management of the entity and who has been convicted of a public entity crime. The term “affiliate” includes those officers, directors, executives, partners, shareholder, employees, members, and agents who are active in the management of an affiliate. The ownership by one person of shares constituting a controlling interest in another person, or a pooling of equipment or income among persons when not for fair market value under an arm’s length agreement, shall be a prima facie case that one person controls another person. A person who knowingly enters into a joint venture with a person who has been convicted of public crime in Florida during the preceding 36 months shall be considered an affiliate.
7. I understand that a “person” as defined in Paragraph 287.133(1) (e), Florida Statutes, means any natural person or entity organized under the laws of any state or of the United States with the legal power to enter into a binding contract and which bids or applies to bid on contracts for the provisions of goods or services let by a public entity, or which otherwise transacts or applies to transact business with a public entity. The term “person” includes those officers, directors, executives, partners, shareholders, employees, members and agents who are active in management of an entity.

8. Based on information and belief, that statement which I have marked below is true in relation to the entity submitting this sworn statement. [Please indicate which statement applies]

Public Entity Crimes Statement

Page 2 of 2

_____ Neither the entity submitting this sworn statement, or one more of the officers, directors, executives, partners, shareholders, employees, members or agents who are active in the management of the entity, nor any affiliate or the entity, has been charged with and convicted of public entity subsequent to July 1, 1989, AND [Please indicate which additional statement applies.]

_____ There has been a proceeding concerning the conviction before a hearing officer of the State of Florida, Division of Administrative Hearings. The final order entered by the hearing officer did not place the person or affiliate on the convicted vendor list. [Please attach a copy of the final order.]

_____ The person or affiliate was placed on the convicted vendor list. There has been a subsequent proceeding before a hearing officer of the State of Florida, Division of Administrative Hearings. The final order entered by the hearing officer determined that it was in the public interest to remove the person or affiliate from the convicted vendor list. [Please attach a copy of the final order.]

_____ The person or affiliate has not been placed on the convicted vendor list. [Please describe any action taken by or pending with the Department of General Services.]

Date: _____ Signature

STATE OF: _____

COUNTY OF: _____

PERSONALLY APPEARED BEFORE ME, the undersigned authority, _____ [name of individual signing] who after first sworn by me affixed his/her signature in the space provided above on this _____ day of _____, 20_____.

My commission expires: _____ Notary Public

Print, Type, or Stamp of Notary Public

Personally known to me, or
Produced Identification:

Type of I.D.

NON-COLLUSION AFFIDAVIT OF PRIME BIDDER

State of _____

County of _____

_____, being first duly sworn, deposes and says that:

He/she is _____ of _____, Bidder that has submitted the attached Bid;

He/she is fully informed respecting the preparation and contents of the attached Bid and of all pertinent circumstances respecting such Bid;

Neither the said Bidder nor any of its officers, partners, owners, agent representatives, employees, or parties in interest, including this affiant, has in any way colluded, conspired, connived or agreed, directly or indirectly, sought by agreement or collusion or communication or conference with any other Bidder, firm or person, to fix the price or prices in the attached Bid or of any other Bidder, or to fix any overhead, profit or cost element of the Bid price or the Bid price of any other Bidder, or to secure through any collusion, conspiracy, connivance or unlawful agreement any advantage against the UCNSB.

The price or prices quoted in the attached Bid are fair and proper and are not tainted by any collusion, conspiracy, connivance or unlawful agreement on the part of the Bidder or any of its agents, representatives, owners, employees, or parties in interest, including this affiant.

Signed

Title

Subscribed and sworn to before me this _____ day of _____, 20____.

Title

My Commission Expires: _____

CERTIFICATION OF DRUG-FREE WORKPLACE

IDENTICAL PROPOSALS - Preference shall be given to businesses with drug-free workplace programs. Whenever two or more bids which are equal with respect to price, quality, and service are received by the State or by any political subdivision for the procurement of commodities or contractual services, a bid received from a business that certifies that it has implemented a drug-free workplace program shall be given preference in the award process. Established procedures for processing tie bids will be followed if none of the tied vendors have a drug-free workplace program. In order to have a drug-free workplace program, a business shall:

1. Publish a statement notifying employees that the unlawful manufacture, distribution, dispensing, possession, or use of a controlled substance is prohibited in the workplace and specifying the actions that will be taken against employees for violations of such prohibition.
2. Inform employees about the dangers of drug abuse in the workplace, the business's policy of maintaining a drug-free workplace, any available drug counseling, rehabilitation, and employee assistance programs, and the penalties that may be imposed upon employees for drug abuse violations.
3. Give each employee engaged in providing the commodities or contractual services that are under bid a copy of the statement specified in subsection (1).
4. In the statement specified in subsection (1), notify the employees that, as a condition of working on the commodities or contractual services that are under bid, the employee will abide by the terms of the statement and will notify the employer of any conviction of, or plea of guilty or nolo contendere to, any violation of chapter 893 or of any controlled substance law of the United States or any state, for a violation occurring in the workplace no later than five (5) days after such conviction.
5. Impose a sanction on, or require the satisfactory participation in a drug abuse assistance or rehabilitation program if such is available in the employee's community, by any employee who is so convicted.
6. Make a good faith effort to continue to maintain a drug-free workplace through implementation of this section.

As the person authorized to sign the statement, I certify that this firm complies fully with the above requirements.

VENDOR SIGNATURE

D

**UTILITIES COMMISSION
City of New Smyrna Beach, Florida**

VENDOR INFORMATION

386 424 3045 Voice
386 424 2732 Fax

Vendor is:

- () Corporation
- () Partnership
- () Sole Proprietorship
- () Other _____(Explain)

Federal Employer Identification

Number or Social Security Number: _____

Do you collect Florida State Sales Tax? () Yes () No

Firm Name: _____

Mailing Address: _____

Telephone No. _____ Fax No. _____

Email Address: _____ Web Address: _____

Service or Commodity Supplied: _____

If vendor is quoting, as a manufacturer's representative and the purchase order should be addressed to the manufacturer in care of the vendor, so indicate.

If remittance address is different from the mailing address so indicate below.

Firm Name: _____

Mailing Address: _____

Submitted by: _____

Name & Title Printed: _____

REQUEST FOR TAXPAYER IDENTIFICATION NUMBER

Step 1. Provide your complete name and Taxpayer Identification Number (Check ONE box only)

U.S. Resident – Individual/Sole Proprietor (Form 1099 reportable)

Name _____

If you are a sole proprietor, name the owner of the business: _____

Social Security Employer
Number _____ Identification Number _____

U.S. Partnership, Limited Liability Company (“LLC”), or Trust (Form 1099 reportable)

Name (as shown on your tax return) _____ Employer
Identification Number _____

U.S. Corporation (exempt from Form 1099 reporting except for medical or legal services)
(If an LLC electing corporate status for U.S. tax purposes, please attach a copy of your U.S. tax election on IRS Form 8832, *Entity Classification Election*)

Name (as shown on your tax return) _____ Employer
Identification Number _____

U.S. Tax-Exempt Organization or Federal, State, or Local Government Agency (exempt from Form 1099 reporting)

Name (as shown on your tax return) _____ Employer
Identification Number _____

Step 2. Certification/Signature (Complete the following) Under penalties of perjury my signature certifies that:

1. The number shown on this form is my correct taxpayer identification number (or I am waiting for a number to be issued to me).
2. I am not subject to backup withholding because: (a) I am exempt from backup withholding, or (b) I have not been notified by the Internal Revenue Service (IRS) that I am subject to backup withholding as a result of a failure to report all interest or dividends, or (c) the IRS has notified me that I am no longer subject to backup withholding.
3. I am a U.S. person* (including a U.S. resident alien).

Certification Instructions - You must cross out item 2 above if you have been notified by the IRS that you are currently subject to backup withholding because you have failed to report all interest and dividends on your tax return. For real estate transactions, number 2 above does not apply. For mortgage interest paid, acquisition or abandonment of secured property, cancellation of debt, contributions to an individual retirement arrangement (IRA), and generally, payments other than interest and dividends, you are not required to sign the Certification, but you must provide your correct TIN.

Signature: _____ Phone: (_____) _____

Print Name: _____ Title: _____ Date: _____

Address: _____ City: _____ State: _____ ZIP: _____

Instructions for U.S. Tax Persons

As a business, federal income tax law requires us to report certain payments we make to you if you are not exempted from this reporting responsibility. In order for us to properly meet the federal tax law requirements, we need certain information from you. Please complete the information requested above and return this form to the address shown above. If you do not provide us with your correct taxpayer identification number, you may be subject to a \$50 penalty imposed by the Internal Revenue Service. In addition, you may be subject to 28% backup withholding on reportable payments we make to you.

If you have any questions, please call us at _____ (provide requester’s telephone number).

***Are you a U.S. person?** The IRS defines a U.S. person as:

- a U.S. citizen;
- an entity (company, corporation, trust, partnership, estate, etc.) created or organized in, or under the laws of, the United States; a state; or the District of Columbia;
- a U.S. resident alien (someone who has a “green card” or has passed the IRS “substantial-presence test.”

For an explanation of the substantial-presence test, please see IRS Pub. 515 or 519, available at www.irs.gov.)

If your answer is NO, please do not complete this form and contact us at (insert requester’s phone number here)

If your answer is YES, please complete the form.

GENERAL INFORMATION:

The Utilities Commission of New Smyrna Beach would like to invite you to provide a Bid for the following streetlight poles and fixtures

Project Details Include.

1. Ameron MER07.5-6P3I-T6MOD-PA-TC-PA, 24'-7" AG black pebblestone, lightly exposed aggregate finish, hard anodized handhole frame and door painted black, Amershield anti-graffiti coating
2. Ameron MER05.2-6P3I-T6MOD-PA-TC-PA, 17'-0" AG black pebblestone, lightly exposed aggregate finish, hard anodized handhole frame and door painted black, Amershield anti-graffiti coating.
3. Metal Halide Bulbs in both 150W & 250W 120Volt to go with the below fixtures.
4. Architectural Area Lighting Brand. FIXTURE PROVIDENCE LARGE BLACK 250W METAL HALIDE- 120V PROL-H5-250PSMHT-BLK-PCA-T
5. Architectural Area Lighting Brand. FIXTURE PROVIDENCE MEDIUM BLACK 150W METAL HALIDE- 120V AAL- PROV-H5-150PSMHT-BLK-PCA-T

**ALL PRICES TO INCLUDE DELIVERY TO 1151 Field St. New Smyrna Beach 32168
FOB DESTINATION**

general specification sheet for lighting fixtures is provided.

If you have any questions, please contact Caleb Fisher
386-424-3045 cfisher@ucnsb.org

Sealed Bids are due on or before Tuesday September 27 2:30pm

Thank you

Large Scale

Updated: 03/2010



- Die cast aluminum construction for corrosion resistance
- One-piece, memory retentive, silicone gasket seals out contaminants for optimum lighting performance
- Tool-less access and removal of the reflector, lamp and ballast
- Type 2, 3, 4 and 5 full cutoff, horizontal reflectors
- Separate die-cast aluminum ballast module for cooler operation and extended component life
- Slips over a 5"/127mm O.D. pole, or a 4"/100mm tenon for arm mounting and PCA-T option
- EISA compliant
- IP55 Rating
- Powder coat finish in 13 standard colors with a polymer primer sealer



Architectural Area Lighting

16555 East Gale Ave. | City of Industry | CA 91745
P 626.968.5666 | F 626.369.2695 | aal.net
Design patents, Copyright © 2010 Rev 03/2010



| Fixture | Lamp/Ballast | Color | Options | Mounting |
|---------|--------------|-------|---------|----------|
| 1 | 2 | 3 | 4 | 5 |

1. FIXTURE

- PROL-H2** Type 2 horizontal reflector, flat glass lens
- PROL-H3** Type 3 horizontal reflector, flat glass lens
- PROL-H4** Type 4 horizontal reflector, flat glass lens
- PROL-H5** Type 5 horizontal reflector, flat glass lens

2. LAMP/BALLAST

- 150PSMH** Pulse start 150 watt metal halide 120/208/240/277 volt ballast. Use mogul base, ED-17 lamp.
- 250PSMH** Pulse start 250 watt metal halide 120/208/240/277 volt ballast. Use mogul base, ED-28 lamp.
- 320PSMH** Pulse start 320 watt metal halide 120/208/240/277 volt ballast. Use mogul base, ED-28 lamp.
- 350PSMH** Pulse start 350 watt metal halide 120/208/240/277 volt ballast. Use mogul base, ED-28 lamp.
- 400PSMH** Pulse start 400 watt metal halide 120/208/240/277 volt ballast. Use mogul base, ED-28 lamp.
- 150HPS** 150 high pressure sodium 120/208/240/277 volt ballast. Use mogul base, ED-23 1/2 lamp.
- 200HPS** 200 high pressure sodium 120/208/240/277 volt ballast. Use mogul base, ED-18 lamp.
- 250HPS** 250 high pressure sodium 120/208/240/277 volt ballast. Use mogul base, ED-18 lamp.
- 400HPS** 400 high pressure sodium 120/208/240/277 volt ballast. Use mogul base, ED-18 lamp.

All ballasts are factory wired for 277 volts unless specified. Lamps not included.

All applicable ballasts are EISA compliant

3. COLOR

- | | |
|--|--|
| <input type="checkbox"/> AWT Arctic White | <input type="checkbox"/> MAL Matte Aluminum |
| <input type="checkbox"/> BLK Black | <input type="checkbox"/> MDG Medium Grey |
| <input type="checkbox"/> MTB Matte Black | <input type="checkbox"/> ATG Antique Green |
| <input type="checkbox"/> DGN Dark Green | <input type="checkbox"/> LGY Light Grey |
| <input type="checkbox"/> DBZ Dark Bronze | <input type="checkbox"/> RAL/PREMIUM COLOR |
| <input type="checkbox"/> WRZ Weathered Bronze | Provide a RAL 4 digit color number |
| <input type="checkbox"/> BRM Metallic Bronze | <input type="checkbox"/> CUSTOM COLOR |
| <input type="checkbox"/> VBL Verde Blue | Please provide a color chip for matching |
| <input type="checkbox"/> CRT Corten | |

SOLD TO

PO #

JOB NAME

Approvals

Architectural Area Lighting

16555 East Gale Ave. | City of Industry | CA 91745
 P 626.968.5666 | F 626.369.2695 | aal.net
 Design patents, Copyright © 2010 Rev 03/2010

| Fixture | Lamp/Ballast | Color | Options | Mounting |
|---------|--------------|-------|---------|----------|
| 1 | 2 | 3 | 4 | 5 |

4. OPTIONS



SPK

Decorative cast aluminum spikes on the top and bottom of the four vertical struts



PFN

Cast aluminum finial painted a brass color



BPS

Cast aluminum struts painted a brass color. Spikes also painted brass if option SPK chosen



PCA-T

Rotatable photocell housing. The housing slips over a 4"/100mm O.D. pole, the fixture slips over the 4"/100mm O.D. tenon. Includes an internal twist lock receptacle, and an access cover with integral lens. Photocell by others.

- HSS** House side shield to cut off light behind the pole and shield the lamp from view.

- LDL** Lightly diffused lens. Frosted, flat tempered glass lens has a lightly diffused finish to minimize the lamp and reflector brightness. For horizontal reflector models.

- PT4** Post top fitter for a 4"/100mm O.D. pole.

EGRESS AND EMERGENCY OPTIONS

Egress lighting codes require an illuminated path to allow occupants to get a safe distance from the building during a power failure or other emergency. In conjunction with the proper wiring, the two options below can be implemented to provide egress lighting.

- QRS** Quartz restrike controller and T-4 mini-can socket. Not required with electronic ballast. (Lamp wattage not to exceed ballast wattage).

- QL** Socket for T-4 mini-can lamp, field wired to a separate circuit. (Lamp wattage not to exceed ballast wattage).

SOLD TO

PO #

JOB NAME

Approvals

Architectural Area Lighting

16555 East Gale Ave. | City of Industry | CA 91745
 P 626.968.5666 | F 626.369.2695 | aal.net
 Design patents, Copyright © 2010 Rev 03/2010

| Fixture | Lamp/Ballast | Color | Options | Mounting |
|---------|--------------|-------|---------|----------|
| 1 | 2 | 3 | 4 | 5 |

5. MOUNTING

Pole mount

One-piece cast aluminum arms are prewired with quick disconnects. Wall mounted arms do not include wall mounting hardware. Pole mounted arms use 3/8-16 hex head bolts for attaching to the pole.

- TRA55** Attaches to a 4"/100mm round pole. Wt: 10 lbs. EPA: .87

- TRA56** Attaches to a 4"/100mm round pole. Wt: 8 lbs. EPA: .54

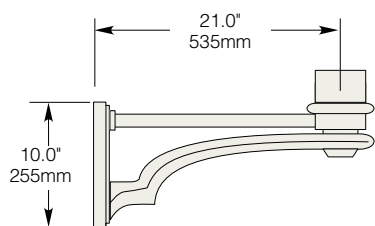
- SLA1** Slips over a 4"/100mm round pole or 4"/100mm by 6"/153mm tenon. Wt: 12 lbs. EPA: 1.09

- SLA1-2** Double arm. Slips over a a 4"/100mm round pole or 4"/100mm by 6"/153mm tenon. Wt: 12 lbs. EPA: 1.09

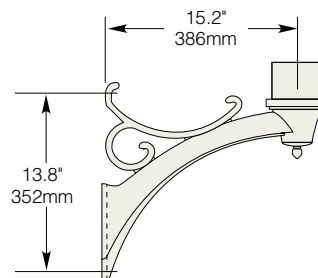
Wall mount

- WMA55** Cast aluminum backplate. Mounting hardware by others. Wt: 8 lbs. EPA: .54

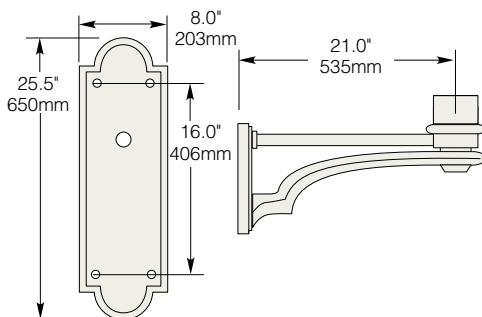
- WMA56** Cast aluminum backplate. Mounting hardware by others. Wt: 10 lbs.



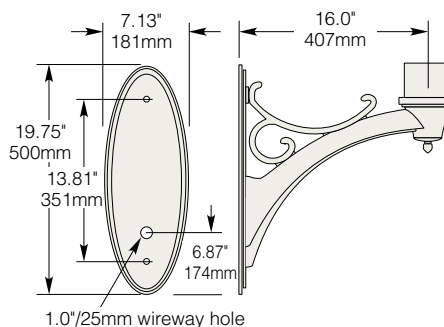
TRA55



TRA56



WMA55



WMA56

SOLD TO

PO #

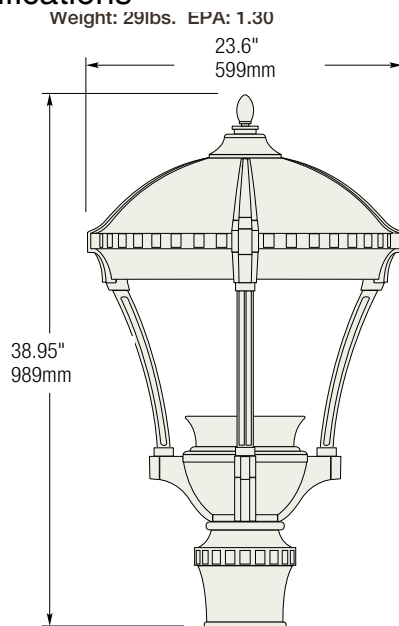
JOB NAME

Approvals

Architectural Area Lighting

16555 East Gale Ave. | City of Industry | CA 91745
 P 626.968.5666 | F 626.369.2695 | aal.net
 Design patents, Copyright © 2010 Rev 03/2010

Specifications



WEIGHT: 47 LBS

EPA 1.33

REFLECTOR MODELS - REFLECTOR/LAMP

The upper lamp housing shall be die cast aluminum. The internal reflector module is sealed from the outer housing with a one piece, memory retentive, molded silicone gasket. The tempered glass lens shall be sealed to the housing with a silicone gasket. One stainless steel latch shall release the door to allow access to the lamp.

The reflector module shall be composed of faceted, specular and semi specular anodized aluminum panels rigidly attached in a die cast aluminum housing. The reflector shall be removed without tools by releasing a pair of steel latches. The reflector tray shall be rotatable on 90° centers for orienting the light distribution. The horizontal reflectors shall meet ANSI-IES standards for full cutoff reflector systems.

REFLECTOR MODELS - BALLAST

The lower ballast housing shall be cast aluminum. The tool-less ballast access for servicing is accomplished by a quarter turn motion of the top cover. The ballast shall be mounted on a prewired tray with a quick disconnect plug attached to the underside of the cover. HID ballasts are high power factor, rated for -30°C starting. Sockets are medium base, G12 for use with T6 lamps or mogul base, pulse rated porcelain. Ballasts are wired at the factory for 277 volts, unless specified.

INSTALLATION & MOUNTING

The large Providence (PROL) shall be factory supplied as a complete, prewired assembly. The fixture shall slip over a 5"/127mm open top pole or 4"/100mm arm and be secured and leveled with six stainless steel set screws.

FINISH

Fixture finish consists of a five stage pretreatment regimen with a polymer primer sealer, oven dry off, and top coated with a thermoset super TGIC polyester powder coat finish. The finish shall meet the AAMA 605.2 performance specification which includes passing a 3000 hour salt spray test for corrosion resistance.

EISA COMPLIANCE

AAL is committed to complying with U.S. EISA requirements. All applicable products manufactured for sale in the United States after January 1, 2009, meet EISA requirements.

CERTIFICATION

The fixture shall be listed with ETL for outdoor, wet location use, UL1598 and Canadian CSA Std. C22.2 no.250. IP55.

WARRANTY

Fixture is warranted for three years. Ballast components carry the ballast manufacturer's limited warranty. Any unauthorized return, repair, replacement or modification of the Product(s) shall void this warranty. This warranty applies only to the use of the Product(s) as intended by AAL and does not cover any misapplication or misuse of said Product(s), or installation in hazardous or corrosive environments. Contact AAL for complete warranty language, exceptions, and limitations.

Architectural Area Lighting

16555 East Gale Ave. | City of Industry | CA 91745
P 626.968.5666 | F 626.369.2695 | aal.net
Design patents, Copyright © 2010 Rev 03/2010

Medium Scale

Updated: 03/2010



- Die cast aluminum construction for corrosion resistance
- Type 2, 3, 4 and 5 full cutoff, HID horizontal reflectors
- Asymmetric and symmetric indirect cutoff optical system
- Type 3 and Type 5 HID vertical lamp cutoff reflectors
- Tool-less access
- Separate die cast aluminum ballast module for extended life
- Slips over a 4"/100mm tenon for arm or pole mounting
- EISA compliant
- IP55 Rating
- Powder coat finish in 13 standard colors with a polymer primer sealer



Architectural Area Lighting

16555 East Gale Ave. | City of Industry | CA 91745
P 626.968.5666 | F 626.369.2695 | aal.net
Design patents, Copyright © 2010 Rev 03/2010



| Fixture | Lamp/Ballast | Color | Options | Mounting |
|---------|--------------|-------|---------|----------|
| 1 | 2 | 3 | 4 | 5 |

1. FIXTURE

- PROV-H2** Type 2 horizontal reflector, flat tempered clear glass lens

- PROV-H3** Type 3 horizontal reflector, flat tempered clear glass lens

- PROV-H4** Type 4 horizontal reflector, flat tempered clear glass lens

- PROV-H5** Type 5 horizontal reflector, flat tempered clear glass lens

- PROV-V3** Type 3 vertical reflector, tempered clear sag glass lens

- PROV-V5** Type 5 vertical reflector, tempered clear sag glass lens

- PROV-INDA** Asymmetric indirect reflective optical system, metal halide lamps only.

- PROV-INDS** Symmetric indirect reflective optical system, metal halide lamps only.

2. LAMP/BALLAST

- 50MH** 50 watt metal halide 120/277 volt ballast. Use medium base, ED-17 lamp.

- 50MHEB** 50 watt electronic metal halide 120 thru 277 volt ballast. Use medium base, ED-17 lamp.

- 70MH** 70 watt metal halide 120/208/240/277 volt ballast. Use medium base, ED-17 lamp.

- 70MHEB** 70 watt electronic metal halide 120 thru 277 volt ballast. Use medium base, ED-17 lamp.

- 70MHT6** 70 watt metal halide 120/277 volt ballast. Use G12 base, T-6 ceramic lamp.

- 70MHT6EB** 70 watt electronic metal halide 120 thru 277 volt ballast. Use G12 base, T-6 ceramic lamp.

- 100MH** 100 watt metal halide 120/208/240/277 volt ballast. Use medium base, ED-17 lamp.

- 150PSMH** Pulse start 150 watt metal halide 120/208/240/277 volt ballast. Use medium base, ED-17 lamp.

- 150PSMHT6** Pulse start 150 watt metal halide 120/208/240/277 volt ballast. Use G12 base, T-6 ceramic lamp.

- 150MHEB** 150 watt electronic metal halide 120 or 277 volt ballast. Use medium base, ED-17 lamp.

- 150MHT6EB** 150 watt electronic metal halide 120 or 277 volt ballast. Use G12 base, T-6 ceramic lamp.

- 175PSMH** Pulse start 175 watt metal halide 120/208/240/277 volt ballast. Use medium base, ED-17 lamp.

Vertical reflector only.

- 70HPS** 70 watt high pressure sodium 120/208/240/277 volt ballast. Use medium base, ED-17 lamp

- 100HPS** 100 watt high pressure sodium 120/208/240/277 volt ballast. Use medium base, ED-17 lamp.

- 150HPS** 150 watt high pressure sodium 120/208/240/277 volt ballast. Use medium base, ED-17 lamp.

- CF** Compact Fluorescent, electronic ballast 120 thru 277 volt. Use GX24q base, 26,32 or 42 watt lamp. Specify wattage. -18° C minimum starting temp. **Direct only.**

All ballasts are factory wired for 277 volts unless specified. Lamps not included, except LED.

All applicable ballasts are EISA compliant

| | | | |
|---------|------|----------|-----------|
| SOLD TO | PO # | JOB NAME | Approvals |
|---------|------|----------|-----------|

Architectural Area Lighting

16555 East Gale Ave. | City of Industry | CA 91745
 P 626.968.5666 | F 626.369.2695 | aal.net
 Design patents, Copyright © 2010 Rev 03/2010

| Fixture | Lamp/Ballast | Color | Options | Mounting |
|---------|--------------|-------|---------|----------|
| 1 | 2 | 3 | 4 | 5 |

3. COLOR

- AWT Arctic White
- BLK Black
- MTB Matte Black
- DGN Dark Green
- DBZ Dark Bronze
- WRZ Weathered Bronze
- BRM Metallic Bronze
- VBL Verde Blue

- CRT Corten
- MAL Matte Aluminum
- MDG Medium Grey
- ATG Antique Green
- LGY Light Grey

RAL/PREMIUM COLOR
Provide a RAL 4 digit color number

CUSTOM COLOR
Please provide a color chip for matching

4. OPTIONS



SPK
Decorative cast aluminum spikes on the top and bottom of the four vertical struts.



PFN
Cast aluminum finial painted a brass color.



BPS
Cast Aluminum Struts painted a brass color. Spikes also painted brass if option SPK chosen



PCA-T
Rotatable photocell housing. The housing slips over a 4"/100mm O.D. pole, a fixture slips over the 4"/100mm O.D. tenon. Includes an internal twist lock receptacle, and an access cover with integral lens. Photocell by others.

| | | | |
|--|------|----------|-----------|
| SOLD TO | PO # | JOB NAME | Approvals |
| <p>Architectural Area Lighting 16555 East Gale Ave. City of Industry CA 91745 P 626.968.5666 F 626.369.2695 aal.net Design patents, Copyright © 2010 Rev 03/2010</p> | | | |

| Fixture | Lamp/Ballast | Color | Options | Mounting |
|------------------------------|---|-------|---------|----------|
| 1 | 2 | 3 | 4 | 5 |
| <input type="checkbox"/> HSS | House side shield to cut off light behind the pole and shield the lamp from view. | | | |
| <input type="checkbox"/> LDL | Lightly diffused lens. Frosted, flat tempered glass lens has a lightly diffused finish to minimize the lamp and reflector brightness. For horizontal reflector models. | | | |

Egress and Emergency Options

Egress lighting codes require an illuminated path to allow occupants to get a safe distance from the building during a power failure or other emergency. In conjunction with the proper wiring, the two options below can be implemented to provide egress lighting.

| | | | | |
|------------------------------|---|--|--|--|
| <input type="checkbox"/> QRS | Socket for T-4 mini-can lamp, field wired to a separate circuit. (Lamp wattage not to exceed ballast wattage). Horizontal reflectors only. | | | |
| <input type="checkbox"/> QL | Restrike controller and T-4 mini-can socket. Not required with electronic ballast. (Lamp wattage not to exceed ballast wattage). Horizontal reflectors only. | | | |

5. MOUNTING

Pole mount

One-piece cast aluminum arms are prewired with quick disconnects. Wall mounted arms do not include wall mounting hardware. Pole mounted arms use 3/8-16 hex head bolts for attaching to the pole.

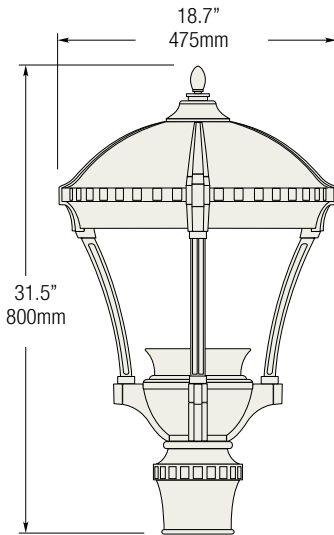
| | | | | |
|---------------------------------|---|--|--|--|
| <input type="checkbox"/> TRA55 | Attaches to a 4"/100mm round pole. Wt: 10 lbs. EPA: .87 | | | |
| <input type="checkbox"/> TRA56 | Attaches to a 4"/100mm round pole. Wt: 10 lbs. EPA: .87 | | | |
| <input type="checkbox"/> TRA57 | Attaches to a 4"/100mm round pole. Wt: 10lbs. EPA:.87 | | | |
| <input type="checkbox"/> SLA1 | Slips over a 4"/100mm round pole or 4"/100mm by 6"/153mm tenon. Wt: 12 lbs. EPA: 1.09 | | | |
| <input type="checkbox"/> SLA1-2 | Double arm. Slips over a a 4"/100mm round pole or 4"/100mm by 6"/153mm tenon. Wt: 12 lbs. EPA: 1.09 | | | |
| <input type="checkbox"/> SLA8U | Attaches to a 4"/100mm or 5"/127mm round pole. Wt: 5lbs. EPA: .40 | | | |
| <input type="checkbox"/> SLA22U | Attaches to a 4"/100mm or 5"/127mm round pole. Wt: 6lbs. EPA: .60 | | | |

Wall mount

| | | | | |
|---------------------------------|--|--|--|--|
| <input type="checkbox"/> WMA55 | Cast aluminum backplate. Mounting hardware by others. Wt: 14lbs. | | | |
| <input type="checkbox"/> WMA56 | Cast aluminum backplate. Mounting hardware by others. Wt: 10lbs. | | | |
| <input type="checkbox"/> WMA57 | Cast aluminum backplate. Mounting hardware by others. Wt: 10lbs. | | | |
| <input type="checkbox"/> WMA7 | Cast aluminum backplate. Mounting hardware by others. Wt: 16lbs. | | | |
| <input type="checkbox"/> WMA9U | Cast aluminum backplate. Mounting hardware by others. Wt: 8lbs. | | | |
| <input type="checkbox"/> WMA22U | Cast aluminum backplate. Mounting hardware by others. Wt: 5lbs. | | | |

| | | | |
|--|------|----------|-----------|
| SOLD TO | PO # | JOB NAME | Approvals |
| <p>Architectural Area Lighting 16555 East Gale Ave. City of Industry CA 91745 P 626.968.5666 F 626.369.2695 aal.net Design patents, Copyright © 2010 Rev 03/2010</p> | | | |

Specifications



WEIGHT: 29 lbs EPA: 0.96

REFLECTOR MODELS - REFLECTOR/LAMP

The upper lamp housing shall be die cast aluminum. The internal reflector module is sealed from the outer housing with a molded silicone gasket. The tempered glass lens shall be sealed to the housing with a silicone gasket. One stainless steel latch shall release the door to allow access the lamp.

The reflector module shall be composed of faceted, specular and semi specular anodized aluminum panels rigidly attached in a die cast aluminum housing. The reflector shall be removed without tools by lifting it out of the four spring loaded posts. The reflector tray shall be rotatable on 90° centers for orienting the light distribution. The horizontal and vertical lamp reflectors shall meet ANSI-IES standards for full cutoff reflector systems.

REFLECTOR MODELS - BALLAST

The lower ballast housing shall be die cast aluminum. The tool-less ballast access for servicing is accomplished by a quarter turn motion of the top cover. The ballast shall be mounted on a prewired tray with a quick disconnect plug attached to the underside of the cover. HID ballasts are high power factor, rated for -30°C starting. Electronic ballasts for metal halide lamps are sound rated A. Sockets are medium base for ED-17 lamps, G12 for use with T6 lamps, All HID sockets are pulse rated porcelain. Ballasts are wired at the factory for 277 volts, unless specified. Compact fluorescent transformers shall accept 120 to 277 volt input and rated for -18°C starting.

INDIRECT MODELS - LOWER LAMP MODULE

The lower housing shall contain the lamp module. The cover shall be die cast aluminum with a tempered glass lens. The lamp shall be accessed by turning the lamp housing cover a quarter turn. The reflector shall be polished, anodized aluminum with an extremely narrow beam for directing the light to the upper reflector. Sockets are medium base for ED-17 lamps or G12 for use with T6 lamps, All sockets are pulse rated porcelain.

INDIRECT MODELS - UPPER REFLECTOR/BALLAST

The die cast aluminum upper housing shall contain the ballast assembly and the indirect reflector. The ballast shall be mounted on a prewired tray with a quick disconnect plug. The HID ballasts are high power factor, rated for -30°C starting. Ballasts are wired at the factory for 277 volts, unless specified.

The indirect reflector is mounted to the underside of the upper housing. The reflector shall be die cast aluminum, finished in a high reflectance white. The indirect reflector models shall be IES classified as cutoff with less than 1% lumen output above 90 degrees.

INSTALLATION & MOUNTING

The PROV series shall be factory supplied as a complete, prewired assembly. The fitter shall slip over a 4"/100mm open top pole or arm and be secured and leveled with three stainless steel set screws.

FINISH

Fixture finish consists of a five stage pretreatment regimen with a polymer primer sealer, oven dry off, and top coated with a thermoset super TGIC polyester powder coat finish. The finish shall meet the AAMA 605.2 performance specification which includes passing a 3000 hour salt spray test for corrosion resistance.

EISA COMPLIANCE

AAL is committed to complying with U.S. EISA requirements. All applicable products manufactured for sale in the United States after January 1, 2009, meet EISA requirements.

CERTIFICATION

The fixture shall be listed with ETL for outdoor, wet location use, UL1598 and Canadian CSA Std. C22.2 no.250. IP=55.

WARRANTY

Fixture is warranted for three years. Ballast components carry the ballast manufacturer's limited warranty. Any unauthorized return, repair, replacement or modification of the Product(s) shall void this warranty. This warranty applies only to the use of the Product(s) as intended by AAL and does not cover any misapplication or misuse of said Product(s), or installation in hazardous or corrosive environments. Contact AAL for complete warranty language, exceptions, and limitations.

Architectural Area Lighting

**BID NO 15-11 POLES & FIXTURES
BID FORM**

| Stock # | Description | Qty | Unit Price | Total Price |
|----------------|---|------------|-------------------|--------------------|
| 725-44-100271 | Ameron MER07.5-6P3I-T6MOD-PA-TC-PA, 24'-7" AG black pebblestone, lightly exposed aggregate finish, hard anodized handhole frame and door painted black, Amershield anti-graffiti coating | 17 | | |
| 725-44-100272 | Ameron MER05.2-6P3I-T6MOD-PA-TC-PA, 17'-0" AG black pebblestone, lightly exposed aggregate finish, hard anodized handhole frame and door painted black, Amershield anti-graffiti coating. | 15 | | |
| 285-50-100666 | LAMP PULSE START 150W METAL HALIDE- 120V, MVR150/U/MED GE OR EQUAL Must Be Compatible W/Fixture | 15 | | |
| 285-50-100667 | LAMP PULSE START 250W METAL HALIDE- 120V, MVR250/U/PA GE OR EQUAL, Must Be Compatible W/Fixture | 17 | | |
| 285-56-100955 | FIXTURE PROVIDENCE LARGE BLACK 250W METAL HALIDE- 120V PROL-H5-250PSMHT-BLK-PCA-T | 17 | | |
| 285-56-100956 | FIXTURE PROVIDENCE MEDIUM BLACK 150W METAL HALIDE- 120V AAL- PROV-H5-150PSMHT-BLK-PCA-T | 15 | | |

**BID NO 15-11 POLES & FIXTURES
BID FORM**

The Utilities Commission reserves the right to waive informalities in any bid, to reject any and all bids in whole or in part, with or without cause, and/or accept the bids or portions thereof that in its judgment will be for the best interest of the Utilities Commission. These prices are valid for orders placed within Ninety (90) days from the date of bid opening unless specified otherwise.

**Submitted
by:** _____

(Please Print)

**Company
Name:** _____

Date: _____

Title: _____

Phone No. _____

Fax No: _____

E-Mail: _____

Signature: _____