

Temporary Electric Service

Overhead - \$100.00

Underground - \$60.00*

The customer is required to install a temporary pole with attached meter can and disconnect. The Utilities Commission will supply the electric meter. (Figure 4 - Overhead; Figure 6 - Underground)

*Available in selected areas only at the discretion of the Utilities Commission.

Permanent Electric Service

Overhead - No Charge

The customer must supply a suitable point of attachment for the Utilities Commission overhead service drop (Figure 3). The service will be connected when all fees have been paid and the installation has been approved by the appropriate inspecting agency. Mobile home services shall be considered permanent electric services.

Underground - \$275.00*

*These costs are for the average base electric service of 2/0 URD and 50' service lateral installed. Additional costs will be added and specific costs estimates provided for larger electric services, additional lengths of lateral, and if the work is performed at the request of the customer on a Saturday or Sunday/Holiday.

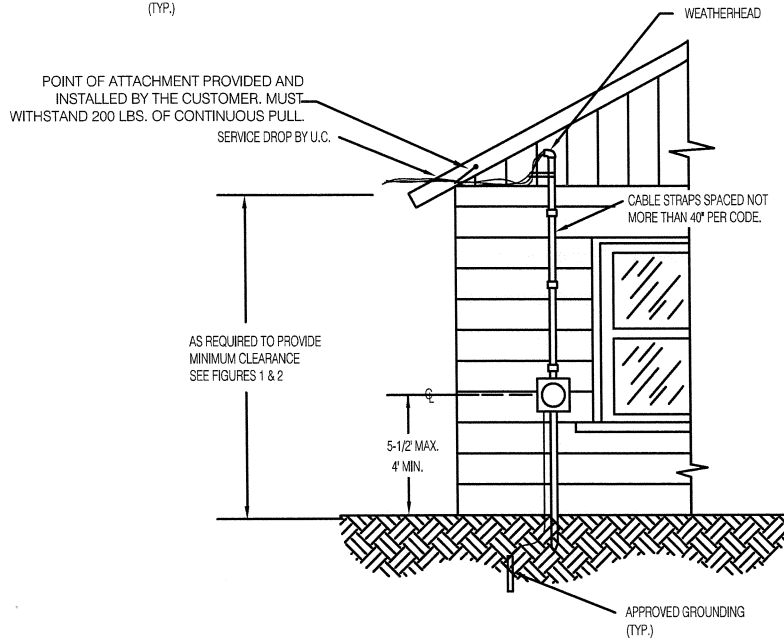
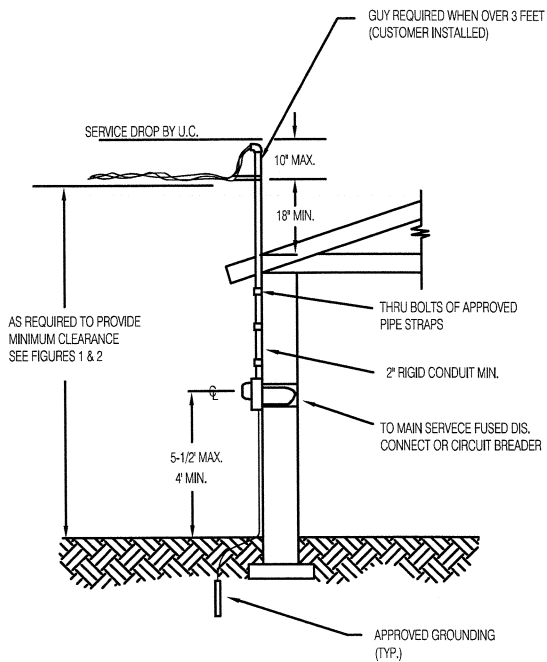
The customer must supply and install typically a 2-inch PVC conduit (Gray, Schedule 40), with 18° radius galvanized 90° elbows or 24" radius 90° PVC elbows, from the meter enclosure to a point designated by the Utilities Commission. Minimum depth for the conduit is 24 inches below final grade (Figure 5). The Utilities Commission will pull and maintain the service cable when all fees have been paid and the installation has been approved by the appropriate inspecting agency. Services longer than 100 feet and/or larger than 200 amps need to be coordinated with the Engineering Department.

Residential - The Customer shall install conduit, with an additional one-inch (1") spare, from the meter enclosure to the pole designated by the Utilities Commission. The Utilities Commission will supply cable, pull and maintain the lateral.

Commercial - The Customer shall install cable and conduit(s), with an additional one-inch (1") spare, from the meter enclosure to and up the pole designated by the Utilities Commission to a height determined by the Utilities Commission (normally a minimum of 40" above uppermost communication cable). A minimum of five (5) feet of service cable shall be provided beyond the protective conduit weatherhead in order that the required connections can be properly made by the Utilities Commission. The service riser, if galvanized, shall be bonded to the Utilities Commission's pole ground by the Customer, and both the service and conduit must conform to all codes.

Where local regulations, Florida Public Service Commission regulations or provisions of these Rules and Regulations require, the electric system shall be placed underground. In this case, the developer is required to install all primary and secondary conduits, including additional conduits for fiber optics, as indicated on the drawings; in addition, final grade and all lot lines must be clearly marked. The Utilities Commission Engineering Department must be notified before any installation of conduit is to begin. The Utilities Commission will install and maintain all transformers, padmounted switchgear, primary cable, secondary cable and residential services. All concrete pads for transformers and switchgear shall be supplied by the developer in accordance with Utilities Commission specifications. Where feasible, the subdivision electric system will be located in the right-of-way; if not, the owner will be required to provide front lot line utility easements or a dedicated electric utility easement.

The customer is responsible for providing, installing and maintaining the meter enclosure for all services not exceeding 200 amps. The Utilities Commission shall install and maintain the electric meter. The fees cited above do not include any required deposits or service fees as may be determined by the Utilities Commission's Customer Service Division.



TYPICAL OVERHEAD SERVICE INSTALLATIONS

N.T.S.

NOTES:

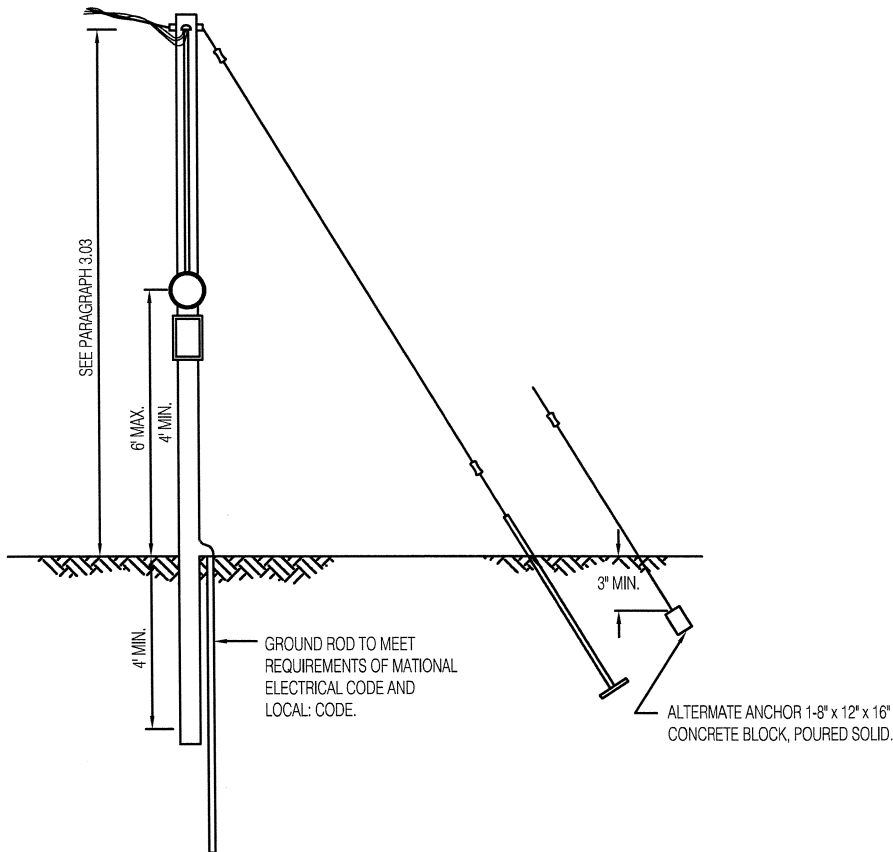
1. CUSTOMER MUST PROVIDE ADEQUATE GROUNDING OF FACILITIES IN ACCORDANCE WITH THE N.E.C. AND LOCAL CODES.
2. CATV OR TELEPHONE CABLE SHALL NOT BE ATTACHED TO THE SERVICE MAST.
3. METER ENCLOSURE PROVIDED AND INSTALLED BY CUSTOMER PER U.C. APPROVED METER ENCLOSURE LIST.

UTILITIES COMMISSION CITY OF NEW SMYRNA BEACH, FL.			
TYPICAL OVERHEAD SECONDARY SERVICE INSTALLATIONS			
DWN. P. RONDEAU	SCALE: AS NOTED	REV. 1	SHEET 1 OF 1
CKD. M. RODRIGUEZ	DATE: 03/07/06	FIG. 3	
APP. M. RODRIGUEZ	FILE: PADR1		

NOTE:

SERVICE MUST BE IN 3/4" (MINIMUM) RACEWAY, THIN WALL OR RIGID
 SERVICE WIRE SIZE MUST BE 3 No 8, MINIMUM
 A WEATHERPROOF FUSE BOX WITH TYPE "S" FUSES AND GROUNDING TYPE
 RECEPTACLE MUST BE USED.

IF SERVICE POLE IS WITHIN 50' OF UC. POLE, ANCHOR MAY NOT BE
 REQUIRED UNLESS SERVICE CROSSES STREET.



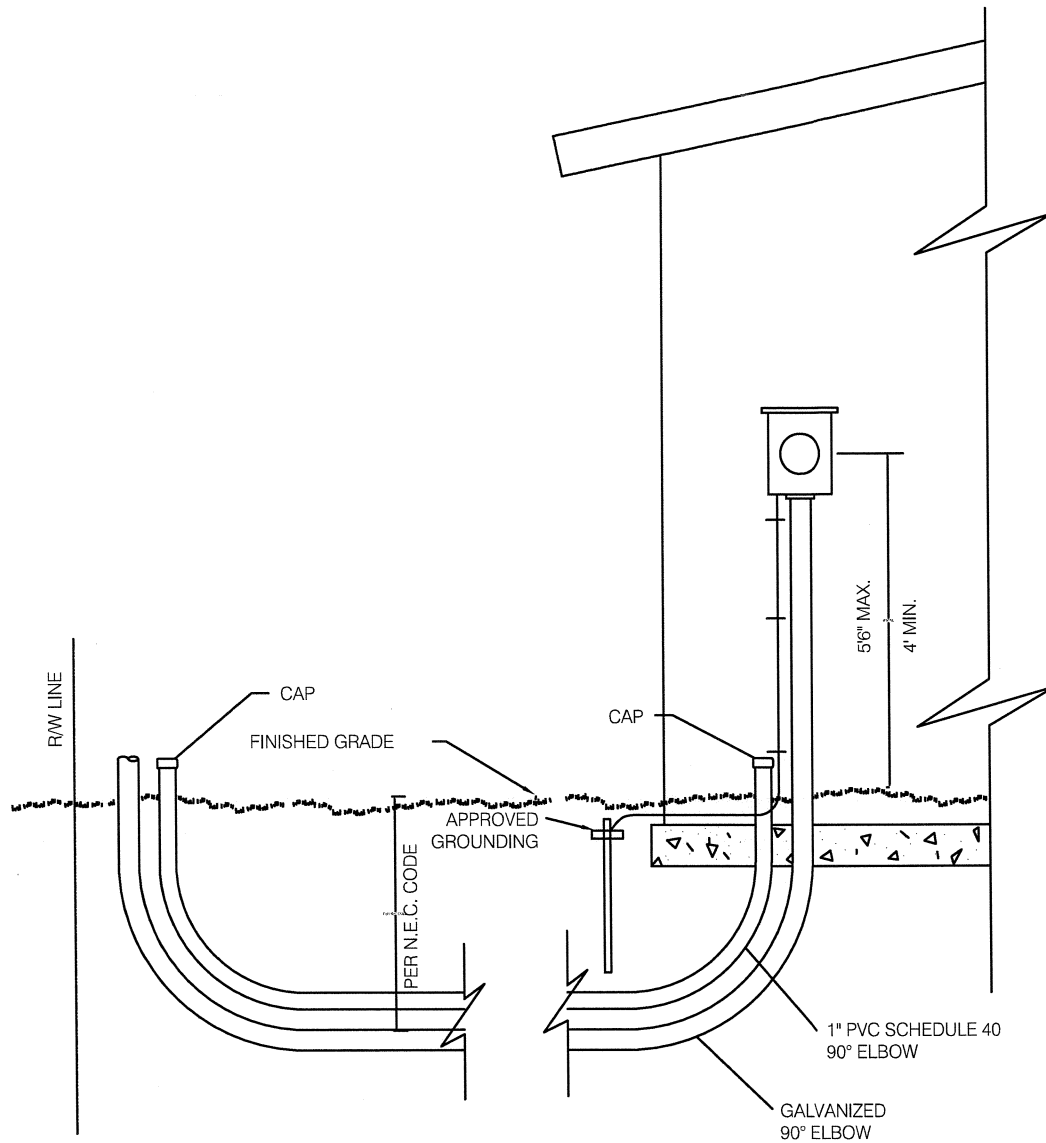
TYPICAL TEMPORARY CONSTRUCTION SERVICE POLE

N.T.S.

NOTES:

1. ALL LUMBER DIMENSIONS TO BE TRADE SIZE.
2. ALL LUMBER TO BE DECAY AND TERMITE RESISTANT.
3. POLES WILL BE RATED FOR DIRECT BURIAL IN THE SOIL.
4. MINIMUM POLE SIZE 4" X 4" X 16' LONG. SEE SECTION (*INSERT*)
5. POLE MUST BE SUFFICIENTLY RIGID AND/OR BRACED TO WITHSTAND 200 LBS. OF PULL AT THE TOP.
6. CUSTOMER MUST PROVIDE ADEQUATE GROUNDING OF FACILITIES IN ACCORDANCE WITH N.E.C. AND LOCAL CODES. SEE SECTION (*INSERT*).
7. POLES WITH 100 AMP, SINGLE PHASE SERVICE MAY HAVE A MAXIMUM SERVICE DROP OF 90' LENGTH; 101-200 AMP, SINGLE PHASE SERVICE MAY HAVE A MAXIMUM SERVICE DROP OF 70' LENGTH. FOR ALL THREE PHASE TEMPORARY SERVICES, THE UCNSB ENGINEERING DEPT. MUST BE CONTACTED.
8. REFER TO SECTION (*INSERT*) FOR CONDUCTOR IDENTIFICATION.
9. EQUIVALENT METAL STRUCTURES MAY BE ACCEPTABLE, CONTACT UCNSB ENGINEERING DEPT. FOR APPROVAL.
10. FOR 120/208 SINGLE PHASE, FIFTH JAW 9 O'CLOCK POSITION PREFERRED

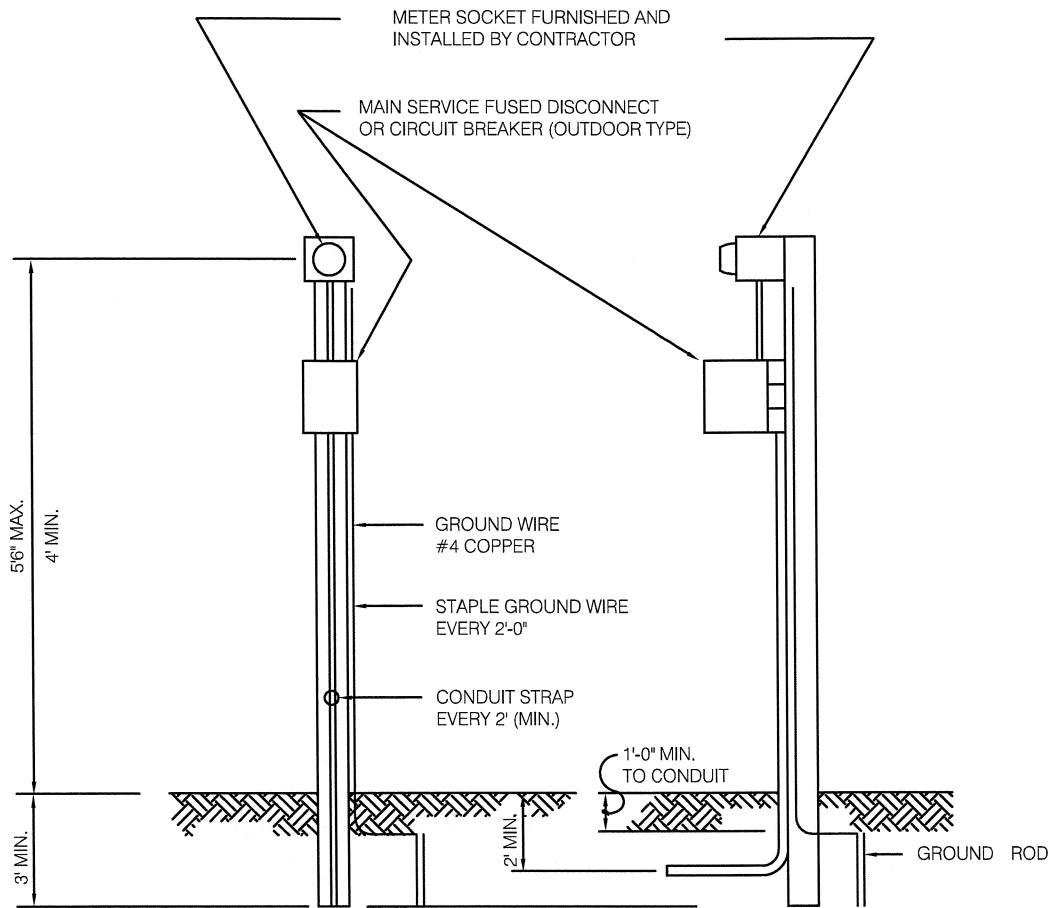
UTILITIES COMMISSION CITY OF NEW SMYRNA BEACH, FL.			
TEMPORARY POWER POLE OVERHEAD SERVICE			
DWN. P. RONDEAU	SCALE: N.T.S.	REV.	SHEET 1 OF 1
CKD. M. RODRIGUEZ	DATE: 03/07/06	FIG. 4	
APP. M. RODRIGUEZ	FILE: ED062806		



NOTES:

1. SERVICE CABLE TO BE FURNISHED AND INSTALLED BY U.C.
2. CONTRACTOR TO FURNISH AND INSTALL METER CAN AND CONDUIT FROM METER LOCATION TO U.C. POINT OF CONNECTION
3. GROUNDING SHALL BE IN ACCORDANCE WITH THE N.E.C. & APPLICABLE ELECTRICAL INSPECTION DEPT. CODE AND SHALL BE SUP- PLIED, INSTALLED AND MAINTAINED BY CUSTOMER.
4. CUSTOMER WILL SUPPLY, INSTALL AND MAINTAIN TYPICALLY A 2" HOT DIPPED GALVANIZED CONDUIT, OR SCHEDULE 40 PVC AND GALVANIZED 90'S AS SHOWN. WHERE SERVICE EXCEEDS 200 AMPERES, CONDUIT SHALL BE SIZED TO ACCOMMODATE CONDUCTORS USED.
5. CUSTOMER WILL SUPPLY, AND INSTALL A 1" SCHEDULED 40 PVC CONDUIT. CAPPED AT EACH END AND TERMINATE 6" ABOVE FINISHED GRADE OR TO EXISTING 1" CONDUIT AT THE CURB.

UTILITIES COMMISSION			
CITY OF NEW SMYRNA BEACH, FL.			
PERMANENT RESIDENTIAL			
UNDERGROUND SERVICE			
RISER			
DWN. P. RONDEAU	SCALE: N.T.S.	REV.	SHEET 1 OF 1
CKD. M. RODRIGUEZ	DATE: 03/07/06	FIG. 5	
APP. M. RODRIGUEZ	FILE: ED062806		



NOTES:

1. SERVICE CABLE TO BE FURNISHED AND INSTALLED BY U.C.
2. CONTRACTOR TO FURNISH AND INSTALL METER CAN AND CONDUIT FROM METER LOCATION TO U.C. POINT OF CONNECTION
3. GROUNDING SHALL BE IN ACCORDANCE WITH THE N.E.C. & APPLICABLE ELECTRICAL INSPECTION DEPT. CODE AND SHALL BE SUPPLIED, INSTALLED AND MAINTAINED BY CUSTOMER.
4. CUSTOMER WILL SUPPLY, INSTALL AND MAINTAIN TYPICALLY A 2" HOT DIPPED GALVANIZED CONDUIT, OR SCHEDULE 40 PVC AND GALVANIZED 90'S AS SHOWN. WHERE SERVICE EXCEEDS 200 AMPERES, CONDUIT SHALL BE SIZED TO ACCOMMODATE CONDUCTORS USED.
5. CUSTOMER WILL SUPPLY, AND INSTALL A 1" SCHEDULED 40 PVC CONDUIT. CAPPED AT EACH END AND TERMINATE 6" ABOVE FINISHED GRADE OR TO EXISTING 1" CONDUIT AT THE CURB.
6. POLE TO BE MIN. 4" X 4" X 8' PRESSURE TREATED. LARGER POLE MAY BE REQUIRED TO PROVIDE NECESSARY CLEARANCE.
7. ALLOW 3' MIN. OF CONDUCTOR AT U.C. POINT OF ATTACHMENT, NEUTRAL CONDUCTOR MUST BE IDENTIFIED.
8. POLE SHALL BE LOCATED AS NEAR AS POSSIBLE TO U.C. POINT OF ATTACHMENT, (PAD MOUNTED TRANSFORMER, ETC.). LOCATE POLE TO PROVIDE PROPER CLEARANCE FROM DRIVEWAYS, CONSTRUCTION AREAS, ETC.

UTILITIES COMMISSION CITY OF NEW SMYRNA BEACH, FL.			
TYPICAL SERVICE POLE UNDERGROUND			
DWN. P. RONDEAU	SCALE: N.T.S.	REV.	SHEET 1 OF 1
CKD. M. RODRIGUEZ	DATE: 03/07/06	FIG. 6	
APP. M. RODRIGUEZ	FILE: ED062806		